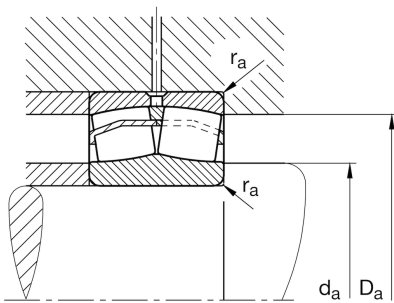
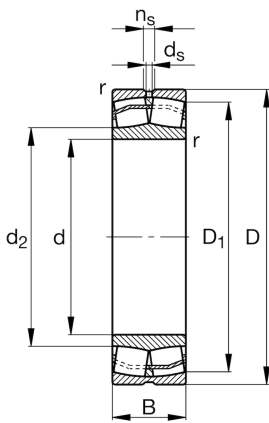


Technical information



Main Dimensions & Performance Data

d	55 mm	Bore diameter
D	120 mm	Outside diameter
B	43 mm	Width
C_r	265,000 N	Basic dynamic load rating, radial
C_{0r}	260,000 N	Basic static load rating, radial
C_{ur}	24,600 N	Fatigue load limit, radial
n_G	5,800 1/min	Limiting speed
n_{gr}	4,500 1/min	Reference speed
	2.23 kg	Weight

Dimensions

r_{min}	2 mm	Minimum chamfer dimension
D_1	101.4 mm	Bore diameter outer ring
d_2	68.9 mm	Raceway diameter of the inner ring
d_s	3.2 mm	Diameter lubrication hole
n_s	6.5 mm	Width of lubricating groove

Mounting dimensions

$d_{a min}$	66 mm	Minimum diameter shaft shoulder
$D_{a max}$	109 mm	Maximum diameter of housing shoulder
$r_{a max}$	2 mm	Maximum recess radius

Additional information

e	0.36	Limiting value of F_a/F_r for the applicability of diff. Values of factors X and Y
Y_1	1.89	Dynamic axial load factor
Y_2	2.81	Dynamic axial load factor
Y_0	1.84	Static axial load factor

Temperature range

T _{min}	-30 °C	Operating temperature min.
T _{max}	200 °C	Operating temperature max.